

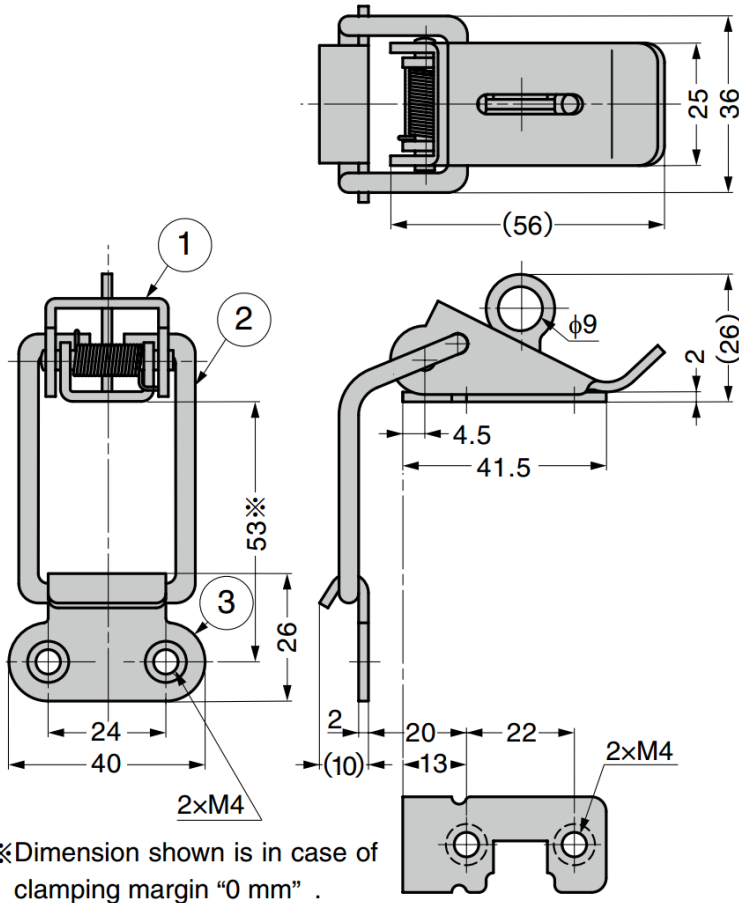
GPS34A Corner Fastener

Features

- Designed to allow front operation
- Can be used with padlock
- Suitable for applications such as doors and covers that require for dust proofing, drip proofing or anti vibration



No.	Part Name	Material	Finish
①	Body	Stainless Steel (SUS304)	Barrel Polished
②	Hook		
③	Counter Plate		



Part No.	Tension Force*	
GPS34A	147 N	15 kg

* For clamping margin "0.5 mm"